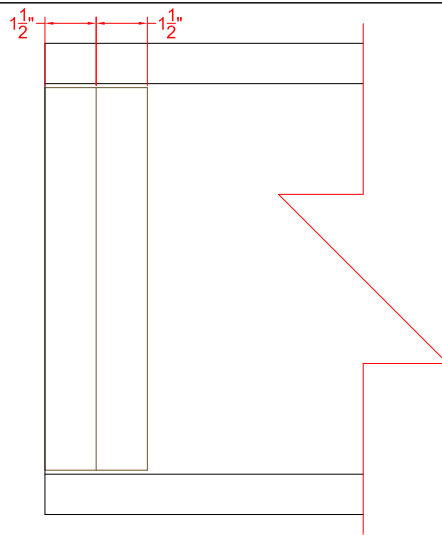
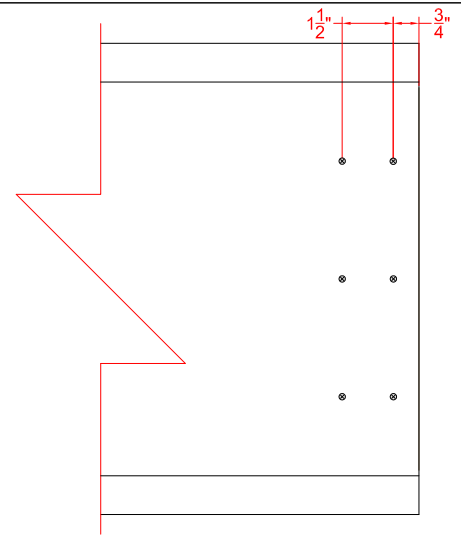


Side View
N.T.S.

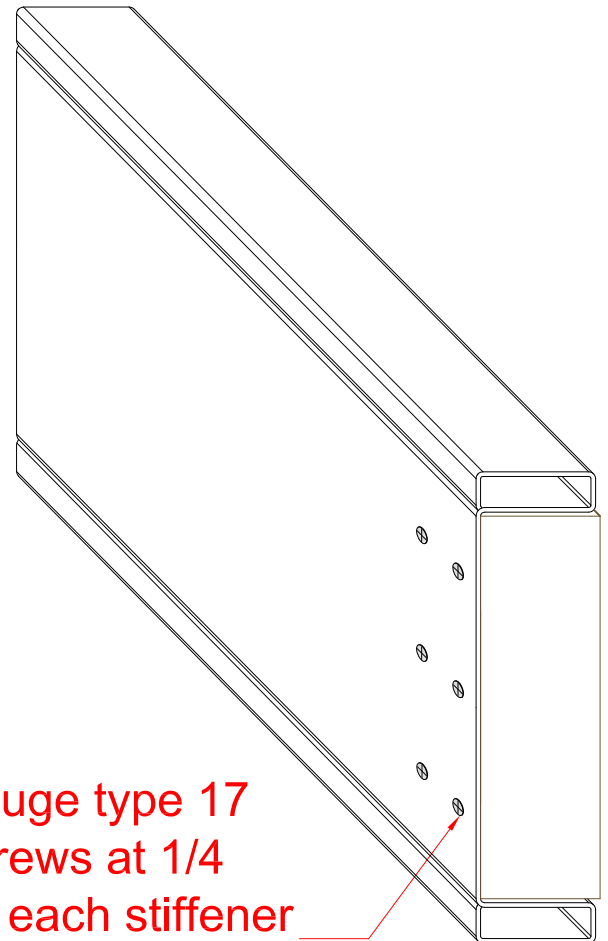
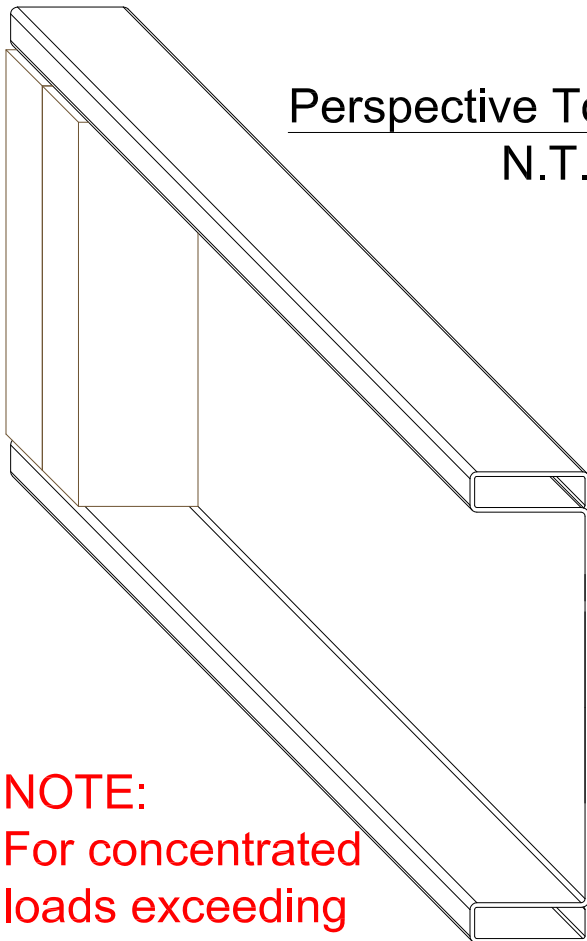


Toe Side View
N.T.S.



Back Side View
N.T.S.

Perspective Toe and Back
N.T.S



NOTE:
For concentrated loads exceeding 11,000 lbs, consult design professional

3 #12 gauge type 17 wood screws at 1/4 points of each stiffener
-Pre-drill 7/32" holes for screws through LSB web

LITESteel
technologies

Description:
Wood Stiffener Detail

100 Smorgon Way
P.O. Box 577
Troutville, VA 24175
www.litesteelbeam.com

Office: 540-992-1600
Toll Free: 877-285-2607
Fax: 540-992-5998

Drawing: 09-030

Dwg Date: 8/11/2009

Rev:

Rev Date:

Drawn By: Newland

Eng: Moses

Mkg: Foxx

LSB
LiteSteelbeam