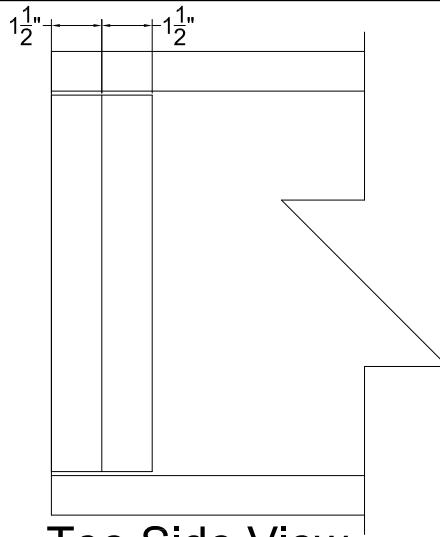
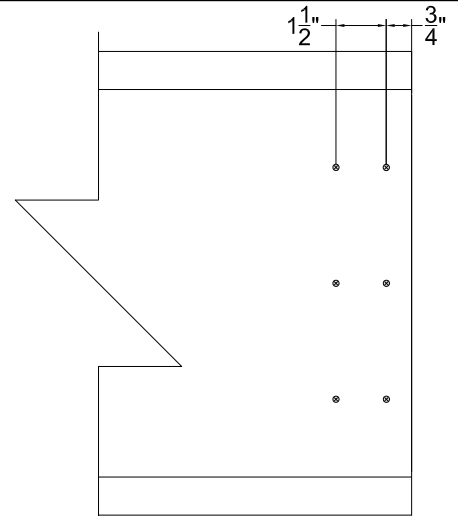


Side View
N.T.S.

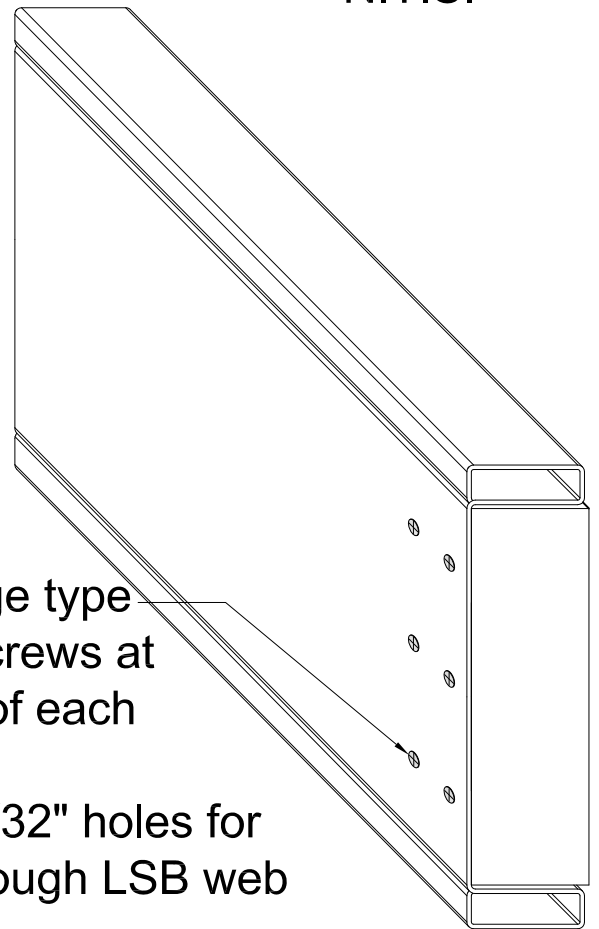
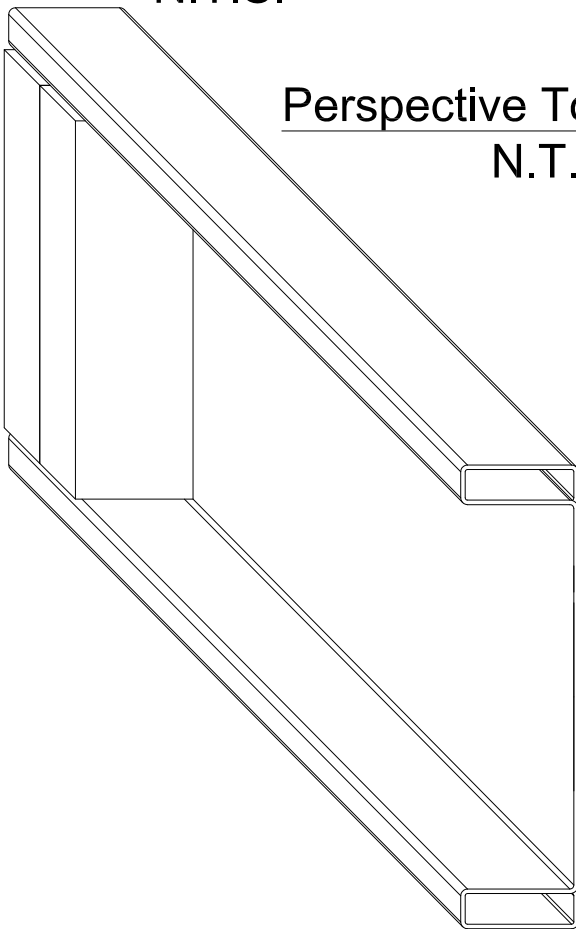


Toe Side View
N.T.S.



Back Side View
N.T.S.

Perspective Toe and Back
N.T.S



3 #12 gauge type
17 wood screws at
1/4 points of each
stiffener
-Pre-drill 7/32" holes for
screws through LSB web

Note: For applicable loads see most up to date version of LSB Software Selector

Rev A. - Removed Note; Added Notes

Rev B. - Removed Loading Notes; Added Note

- All LiteSteel Beam details are subject to local code provisions
- All components should be selected & installed per the individual component manufacturers' instructions.
- LiteSteel Technologies is not responsible for the performance of components not manufactured by LiteSteel Technologies.



100 Smorgon Way
Troutville, VA 24175
Phone : 540-992-1600
Fax: 540-992-5998
www.litesteelbeam.com
sales@litesteelbeam.com

Description:

Enter Description

Enter Description

DRAWING NOT TO SCALE

Rev #: B

Rev Date: 02/03/2011

Drawn By: AWN

Checked By: JAM

Dwg #: 09-030

Dwg Date: 08/11/2009

Drawn By: AWN

Checked By: JAM