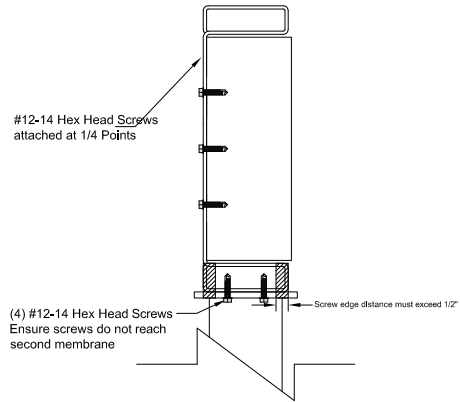
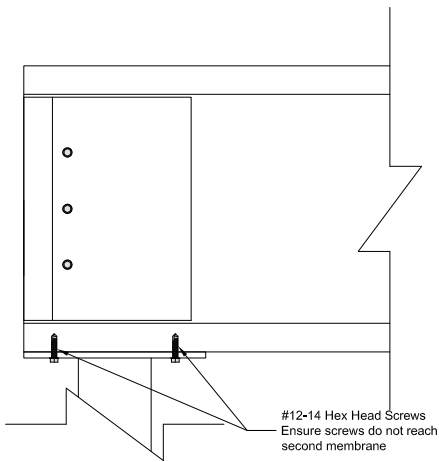
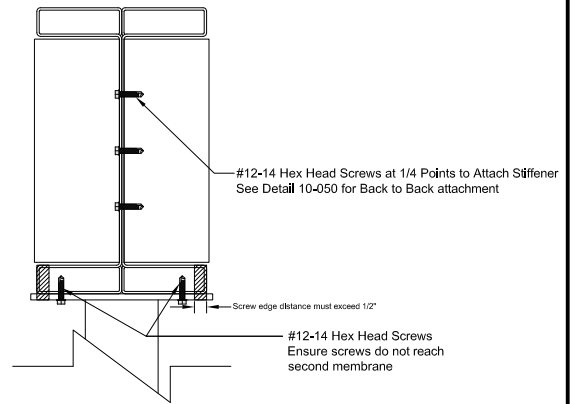
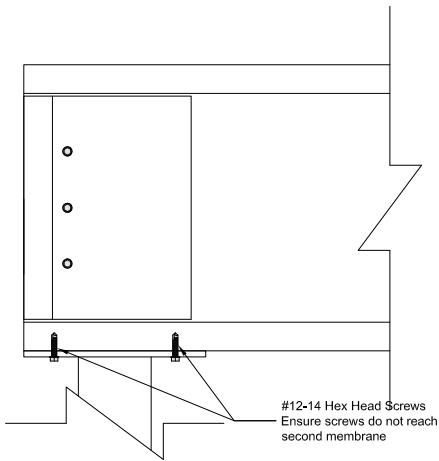


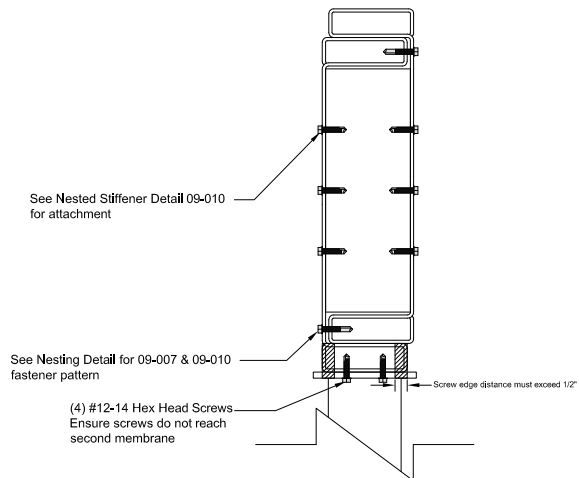
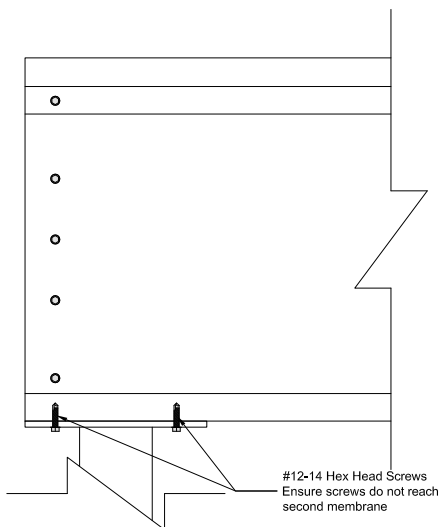
Single LSB on Post



Back to Back LSB on Post



Nested LSB on Post



Rev. A - Changed Screw Notes
 Rev. B - Combined Details 09-018, 09-019, & 09-023

- All LiteSteel Beam details are subject to local code provisions
- All components should be selected & installed per the individual component manufacturers' instructions.
- LiteSteel Technologies is not responsible for the performance of components not manufactured by LiteSteel Technologies.



100 Smorgon Way
 Troutville, VA 24175
 Phone : 540-992-1600
 Fax: 540-992-5998
www.litesteelbeam.com
sales@litesteelbeam.com

Description:

LiteSteel Beam attached to Post

DRAWING NOT TO SCALE

Rev #: B

Rev Date: 02/04/2011

Drawn By: AWN

Checked By: JAM

Dwg #: 09-018

Dwg Date: 05/11/2009

Drawn By: AWN

Checked By: JAM

TEK Screw Table - Steel to LSB

Allowable Loads per Screw (lbs)

Tension	Design	Thickness of Attachment						
		134	118	98	79	59	45	35
	Minimum Gage	127	112	93	75	56	43	33
Screw	LSB Gage	10	11	12	14	16	18	20
	1/4	-134	615				505	395
		-118	540					
		-098	450					
		-079	365					
		-059	270					
	#12	-134	515			380	295	
		-118	455					
		-098	380					
		-079	305					
		-059	225					
	#10	-134	470			380	295	
		-118	410					
		-098	340					
		-079	275					
		-059	205					

Shear	Design	Thickness of Attachment						
		134	118	98	79	59	45	35
	Minimum Gage	127	112	93	75	56	43	33
Screw	LSB Gage	10	11	12	14	16	18	20
	1/4	-134	860				455	355
		-118						
		-098						
		-079						
		-059	650					
	#12	-134	665				380	300
		-118						
		-098						
		-079						
		-059	600					
	#10	-134	465				345	270
		-118						
		-098						
		-079						
		-059						

NOTES:

1. The maximum load is not to exceed the capacity of the LSB, attachment, or screws.
2. Allowable load values shown are the minimum values based on 2007 AISI NAS for both the connector and the connected material using Buildex TEK screws. Buildex TEK ultimate values can be found in the ITW Buildex 2009 Product Catalog.
3. Values for LSB and hangers 16 ga and thicker are based on members with a minimum yield strength of $F_y = 50\text{ksi}$ and tensile strength of $F_u = 65\text{ksi}$. For hangers or attachments with thickness of 18 ga and thinner values are based on members with a minimum yield strength of $F_y = 33\text{ksi}$ and tensile strength $F_u = 45\text{ksi}$.
4. A minimum of three threads must penetrate each member.

- All LiteSteel Beam details are subject to local code provisions
- All components should be selected & installed per the individual component manufacturers' instructions.
- LiteSteel Technologies is not responsible for the performance of components not manufactured by LiteSteel Technologies.



100 Smorgon Way
Troutville, VA 24175
Phone : 540-992-1600
Fax: 540-992-5998
www.litesteelbeam.com
sales@litesteelbeam.com

Description:

Screw Chart - Steel to LSB

DRAWING NOT TO SCALE

Rev #: _____ - _____

Rev Date: _____ - _____

Drawn By: _____ - _____

Checked By: _____ - _____

Dwg #: ATTCH.-1

Dwg Date: 09/16/2009

Drawn By: AWN

Checked By: JAM