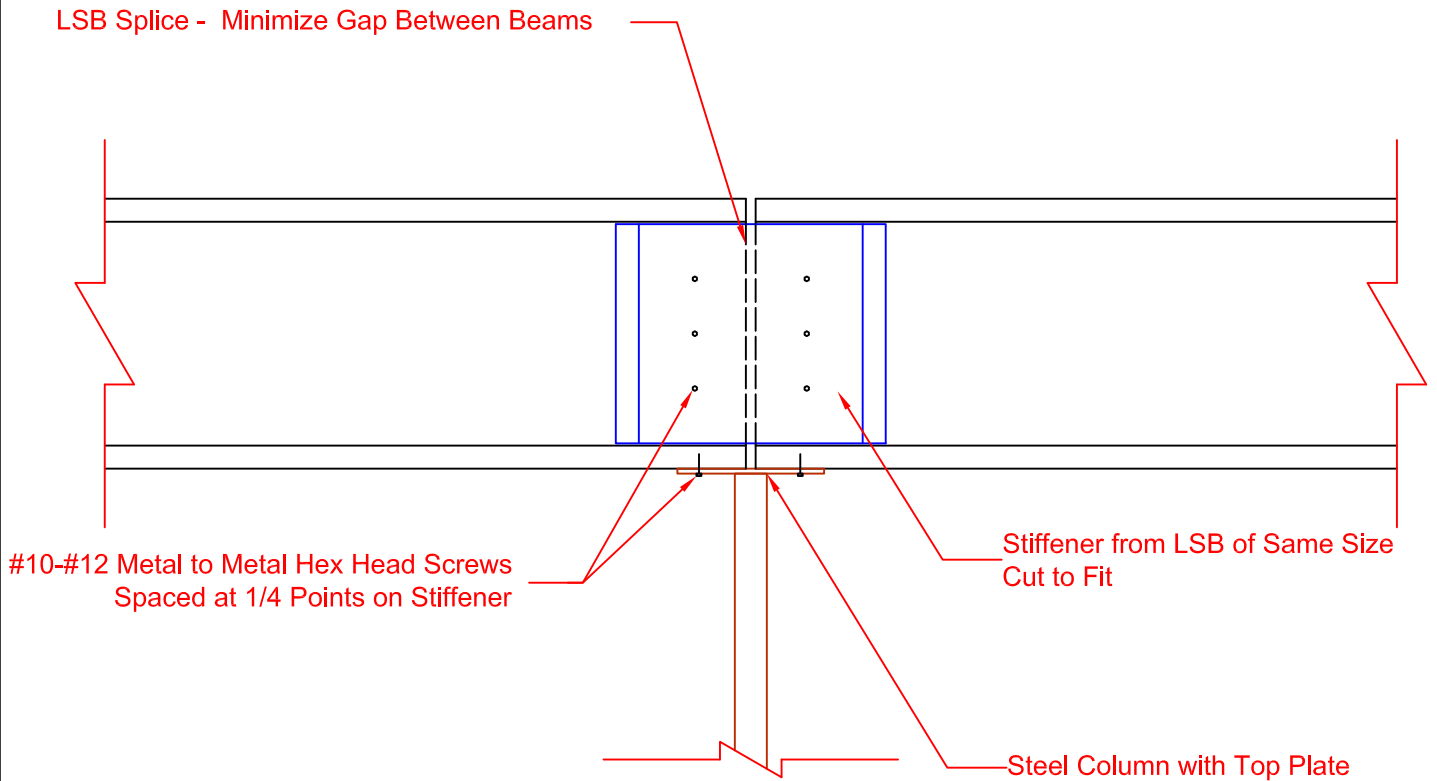


NOTE:

Column Splice does NOT create continuous span.
Beams are to be designed separately.



Description:
Splice at Column

100 Smorgon Way
P.O. Box 577
Troutville, VA 24175
www.litesteelbeam.com

Office: 540-992-1600
Toll Free: 877-285-2607
Fax: 540-992-5998

Drawing: 09-014

Dwg Date: 4/29/2009

Rev:

Rev Date:

Drawn By: Newland

Eng: Moses

Mkg: Foxx



TEK Screw Table - Steel to LSB

Allowable Loads per Screw (lbs)

Tension	Design	Thickness of Attachment						
		134	118	98	79	59	45	35
	Minimum	127	112	93	75	56	43	33
	Gage	10	11	12	14	16	18	20
Screw	LSB Gage							
1/4	-134	615					505	395
	-118	540						
	-098	450						
	-079	365						
	-059	270						
#12	-134	515				380	295	
	-118	455						
	-098	380						
	-079	305						
	-059	225						
#10	-134	470				380	295	
	-118	410						
	-098	340						
	-079	275						
	-059	205						

Shear	Design	Thickness of Attachment						
		134	118	98	79	59	45	35
	Minimum	127	112	93	75	56	43	33
	Gage	10	11	12	14	16	18	20
Screw	LSB Gage							
1/4	-134	860					455	355
	-118							
	-098							
	-079							
	-059						650	
#12	-134	665					380	300
	-118							
	-098							
	-079							
	-059						600	
#10	-134	465					345	270
	-118							
	-098							
	-079							
	-059							

NOTES:

1. The maximum load is not to exceed the capacity of the LSB, attachment, or screws.
2. Allowable load values shown are the minimum values based on 2007 AISI NAS for both the connector and the connected material using Buildex TEK screws. Buildex TEK ultimate values can be found in the ITW Buildex 2009 Product Catalog.
3. Values for LSB and hangers 16 ga and thicker are based on members with a minimum yield strength of $F_y = 50\text{ksi}$ and tensile strength of $F_u = 65\text{ksi}$. For hangers or attachments with thickness of 18 ga and thinner values are based on members with a minimum yield strength of $F_y = 33\text{ksi}$ and tensile strength $F_u = 45\text{ksi}$.
4. A minimum of three threads must penetrate each member.



Description:
Screw Chart - Steel to LSB

100 Smorgon Way
P.O. Box 577
Troutville, VA 24175
www.litesteelbeam.com

Office: 540-992-1600
Toll Free: 877-285-2607
Fax: 540-992-5998

Drawing: Attch. 1
Dwg Date: 9/16/2009

Rev: _____
Rev Date: _____

Drawn By: Newland
Eng: Moses

Mkg: Foxx

