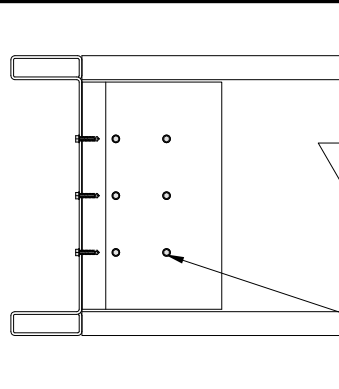
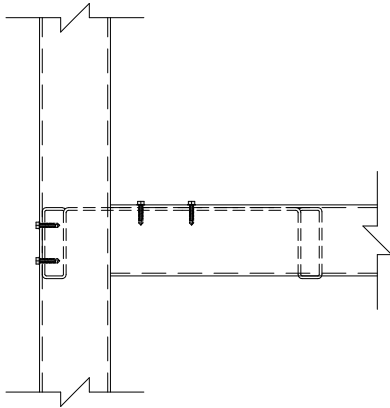


Toe Side Connection  
Profile View

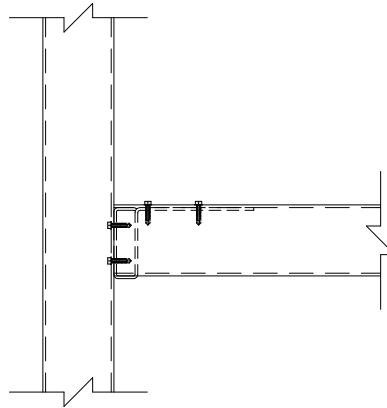


Web Side Connection  
Profile View

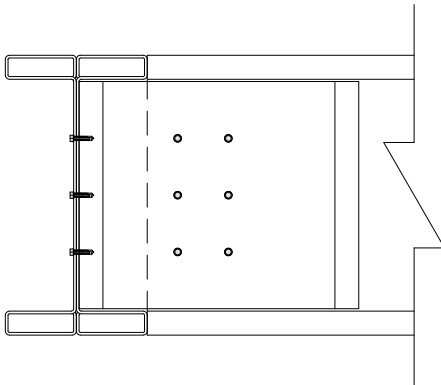
Minimum 3 - #12 Hex Head  
Screws at 1/4 Points  
Screws are to be designed  
to transfer shear  
(TYP.)



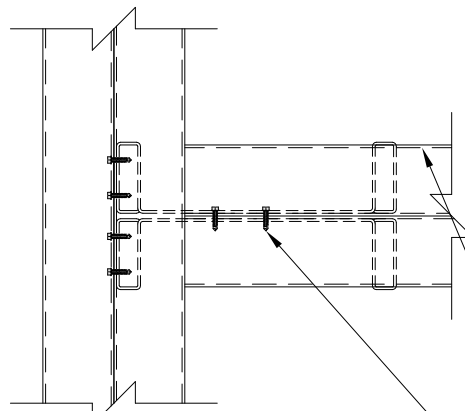
Toe Side Connection  
Plan View



Web Side Connection  
Plan View



Back to Back Connection  
Profile View



Back to Back Connection  
Plan View

-When back to back framing members are  
used, shear strength of screws in framing  
members can be doubled.

-Back to back framing member as required.

Rev. A - Plan View shown and Back to Back Detail added.

- All LiteSteel Beam details are subject to local code provisions
- All components should be selected & installed per the individual component manufacturers' instructions.
- LiteSteel Technologies is not responsible for the performance of components not manufactured by LiteSteel Technologies.



100 Smorgon Way  
Troutville, VA 24175  
Phone : 540-992-1600  
Fax: 540-992-5998  
www.litesteelbeam.com  
sales@litesteelbeam.com

Description:

LSB to LSB Flush Connection  
Including Back to Back Attachment

DRAWING NOT TO SCALE

Rev #:     A    

Rev Date: 02/03/2011

Drawn By:     AWN    

Checked By:     JAM    

Dwg #:     09-012    

Dwg Date: 04/24/2009

Drawn By:     AWN    

Checked By:     JAM

# TEK Screw Table - Steel to LSB

## Allowable Loads per Screw (lbs)


Tension	Design	Thickness of Attachment						
		134	118	98	79	59	45	35
	Minimum Gage	127	112	93	75	56	43	33
Screw	LSB Gage	10	11	12	14	16	18	20
1/4	-134	615					505	395
	-118	540						
	-098	450						
	-079	365						
	-059	270						
#12	-134	515				380	295	
	-118	455						
	-098	380						
	-079	305						
	-059	225						
#10	-134	470				380	295	
	-118	410						
	-098	340						
	-079	275						
	-059	205						

Shear	Design	Thickness of Attachment						
		134	118	98	79	59	45	35
	Minimum Gage	127	112	93	75	56	43	33
Screw	LSB Gage	10	11	12	14	16	18	20
1/4	-134	860					455	355
	-118							
	-098							
	-079							
	-059	650						
#12	-134	665					380	300
	-118							
	-098							
	-079							
	-059	600						
#10	-134	465					345	270
	-118							
	-098							
	-079							
	-059							

**NOTES:**

1. The maximum load is not to exceed the capacity of the LSB, attachment, or screws.
2. Allowable load values shown are the minimum values based on 2007 AISI NAS for both the connector and the connected material using Buildex TEK screws. Buildex TEK ultimate values can be found in the ITW Buildex 2009 Product Catalog.
3. Values for LSB and hangers 16 ga and thicker are based on members with a minimum yield strength of  $F_y = 50\text{ksi}$  and tensile strength of  $F_u = 65\text{ksi}$ . For hangers or attachments with thickness of 18 ga and thinner values are based on members with a minimum yield strength of  $F_y = 33\text{ksi}$  and tensile strength  $F_u = 45\text{ksi}$ .
4. A minimum of three threads must penetrate each member.

- All LiteSteel Beam details are subject to local code provisions
- All components should be selected & installed per the individual component manufacturers' instructions.
- LiteSteel Technologies is not responsible for the performance of components not manufactured by LiteSteel Technologies.

	100 Smorgon Way Troutville, VA 24175 Phone : 540-992-1600 Fax: 540-992-5998 www.litesteelbeam.com sales@litesteelbeam.com	Description: Screw Chart - Steel to LSB	Rev #: _____ - _____ Rev Date: _____ - _____ Drawn By: _____ - _____ Checked By: _____ - _____	Dwg #: ATTCH.-1 Dwg Date: 09/16/2009 Drawn By: AWN Checked By: JAM
	DRAWING NOT TO SCALE			